



AD SERIES MOTOR DRIVEN DIAPHRAGM PUMP

Overview

The AD series is a compact diaphragm pump intended for multipurpose dosing applications. Extensive build options permit great customisability to maximise economy and practicality, as such the AD series are an efficient multi-use design.

All pumps have manual stroke length adjustment as standard. Optional automatic stroke length adjustment accepts a 4-20 mA signal (10 mm stroke length models only).

The pump is encased in grey anodized aluminium casing finished with an epoxy anti acid paint.

Can be built with an ATEX Zone 2 rated motor.



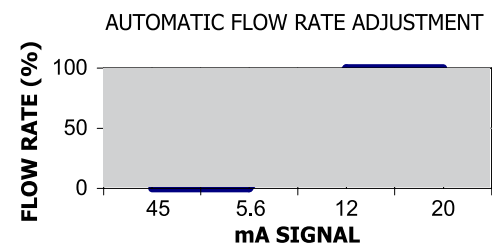
An AD Motor Pump with polypropylene pump head.

TECHNICAL FEATURES

- Flow Rate 10 - 123 L/H
- Maximum Pressure 14 Bar (low flow rate models), 6 bar (high flow rate models).
- Motor Options Single Phase, Three Phase, optional ATEX Zone 2 compatibility. Accepts 230 – 400 V input at 50 Hz, single phase motors either 230 V or 110 V.
- Inverter Control Yes. Expert installation only. Requires self-ventilated motor.
- Pump Head PP, PVC, AISI or PVDF.
- Seal Material FPM, EPDM & NBR.
- Thread Gas male ½"
- ATEX Rated Motor Atex rated motors are Three Phase only; ATEX ratings as follows:
ATEX EEx-d 2G (Zone1) IIB T4 IP55 (Gas)
ATEX EEx-d 2D (Zone21) IIB T4 IP65 (Dust)
- Valves Single ball check valve

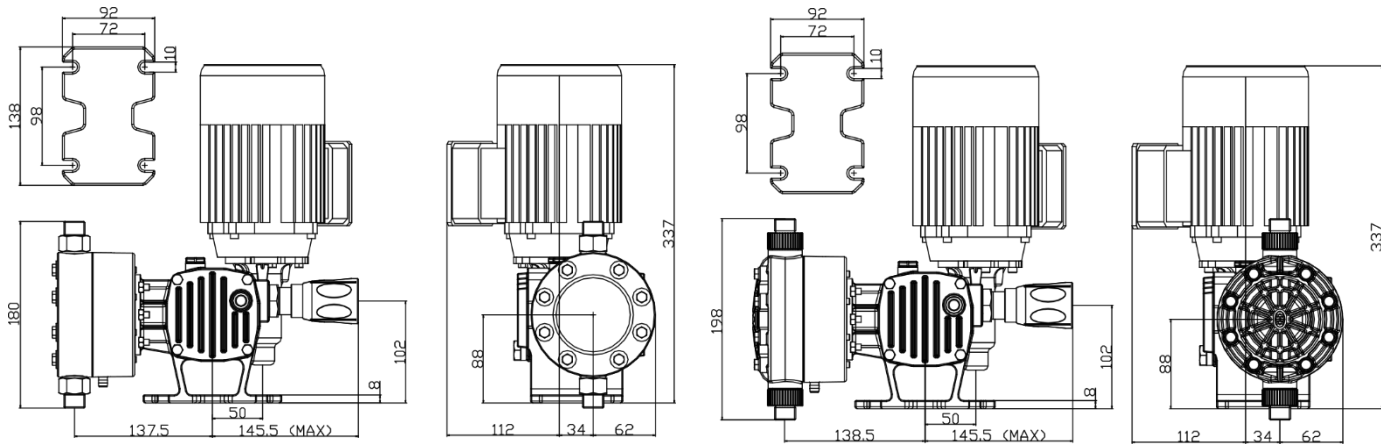
4-20MA CONTROL OPTIONS

AD series pumps accept two options for a 4-20 mA control - inverter control or automatic stroke length control. Automatic stroke length control is confined to a 5.6-12 mA signal as illustrated by the chart to the right. The tolerance is $\pm 5\%$. Please note that this requires a separate 24 V AC power supply and is available for 10 mm stroke length models only.





DIMENSIONS



Pump with PP head

Pump with AISI head

PERFORMANCE TABLE

Code	Flow Rate (L/H)		Pressure (Bar)				Strokes per Minute		Stroke Length (mm)	Motor Output (Kw)	Valve Size
			AISI Pump Head		PP/PVDF Pump Head						
	50 Hz	60 Hz	50 Hz	60 Hz	50 Hz	60 Hz	50 Hz	60 Hz			
AD0016**00100	16	19	14	14	14	14	60	72	4	0.18	1/2" Gm*
AD0033**00100	33	40	14	12	14	12	120	144	4		
AD0030**00100	30	36	10	10	10	10	60	72	4		
AD0060**00100	60	72	10	10	10	10	120	144	4		
AD0061**00100	61	73	7	6.5	7	6.5	60	72	4		
AD0123**00100	123	148	6	5	6	5	120	144	4		

*3/4" valves builds are available.